

INDEPENDENT CRUSHING UNIT

Model

- Kappa 15 independent crushing unit

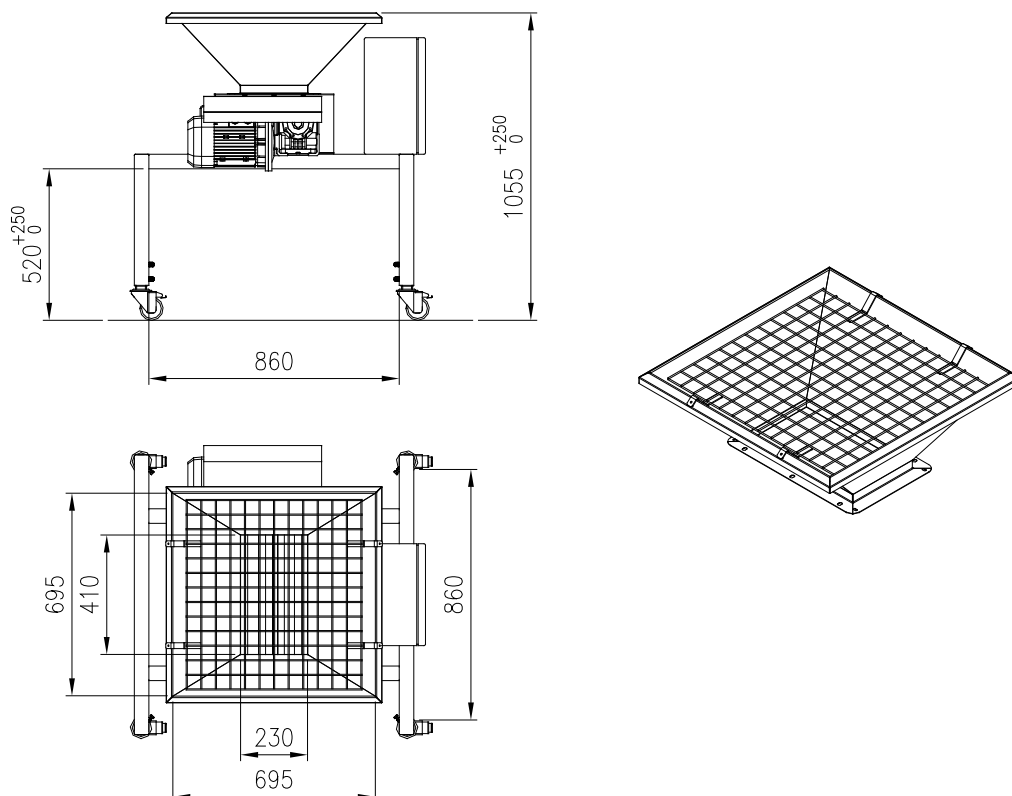
Technical description

An independent crushing unit that can be placed in several points of grapes reception and sorting line or directly onto the loading door of the pneumatic press in Kappa Direkt model.

It consists of two food grade rubber crushing rollers. Each roller is stamped in only one piece in order to make hygiene and cleaning operation easy. The distance between the rollers is adjustable in order to avoid seed crushing and to ensure a correct berry crushing.

The combined rotation and the possibility of regulation allow the highest flexibility and quality of the product manufactured. The unit is supported by an AISI 304 stainless steel frame complete with feeding hopper.

Drawing



TECHNICAL DATA	KAPPA 15 INIPENDENT CRUSHING UNIT
Installed power (kW)	1.1