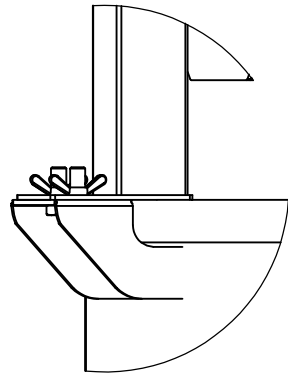


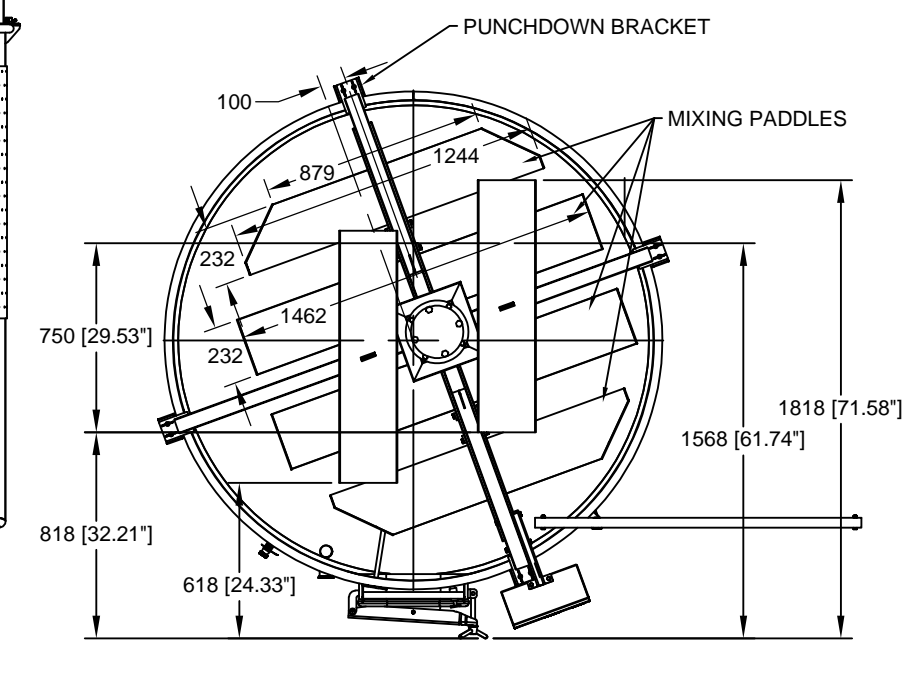
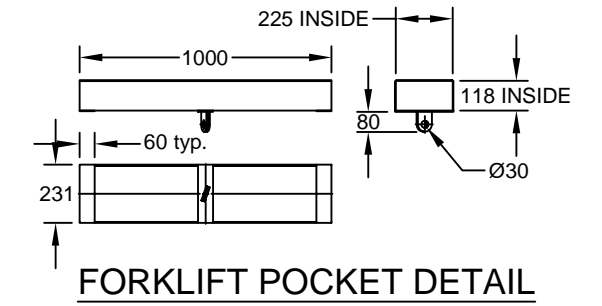
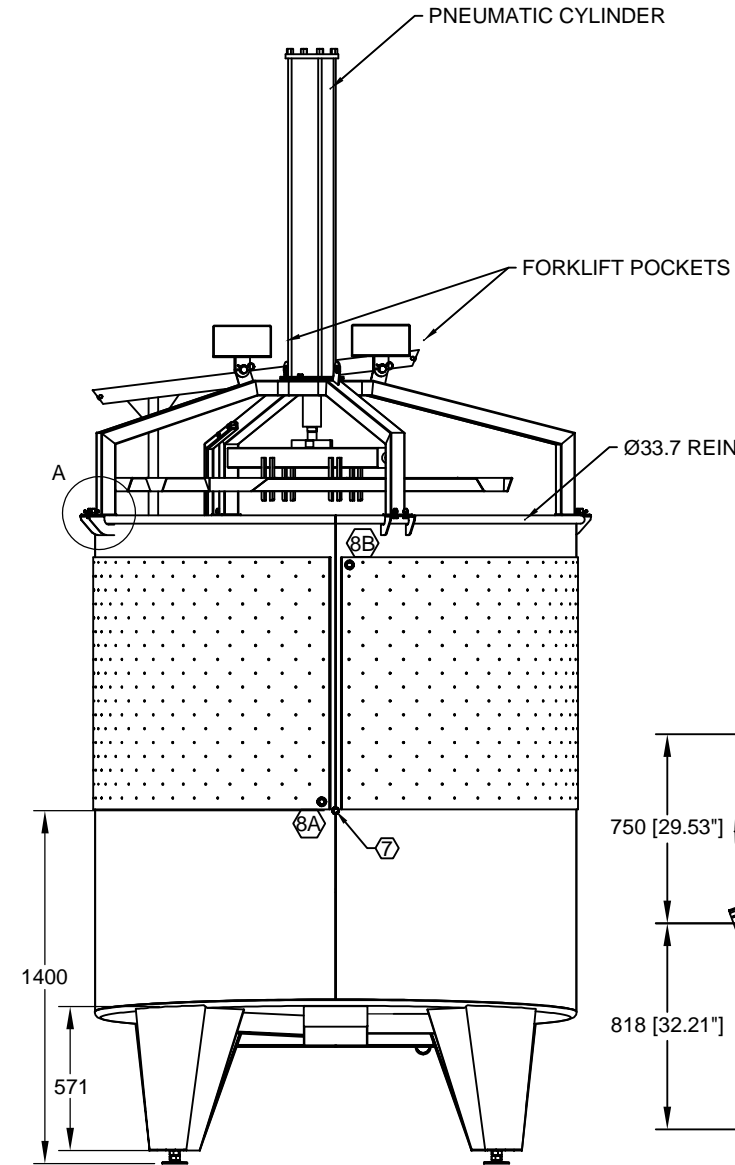
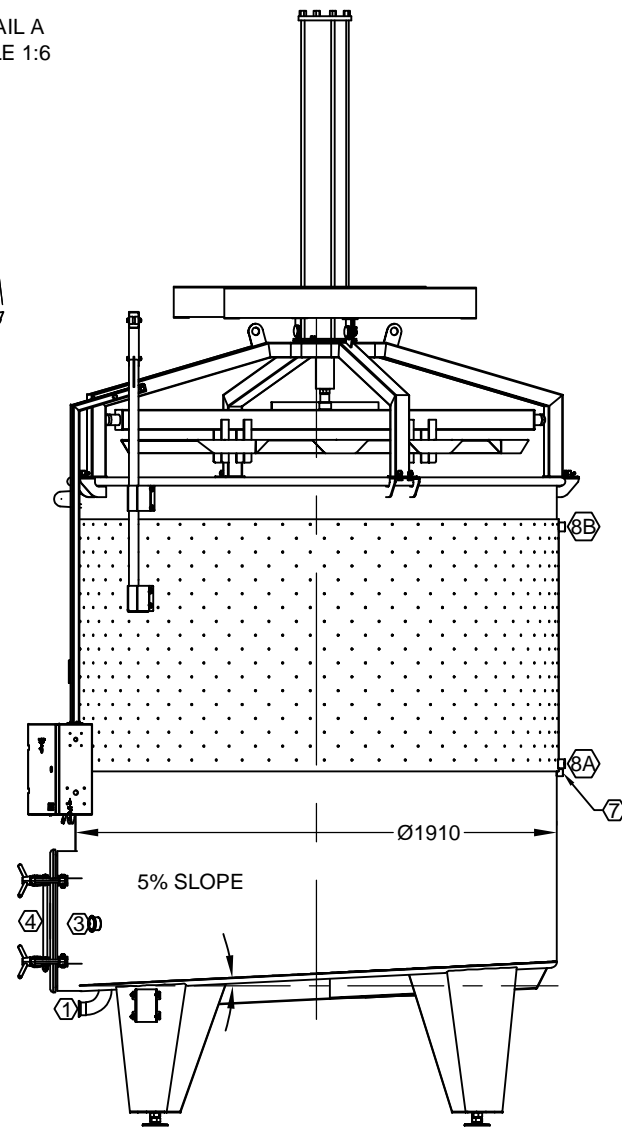
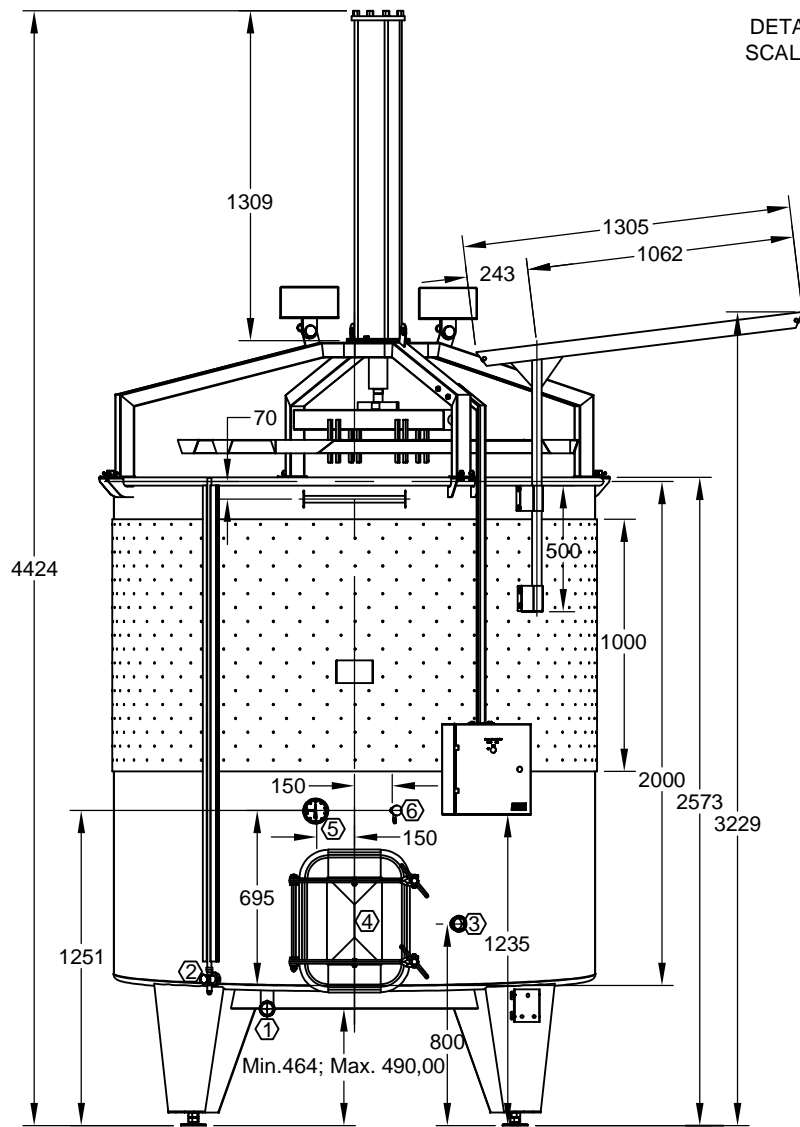
NOTES:
 QUANTITY - 2
 MATERIAL - AISI 304 STAINLESS
 OUTSIDE SURFACE - MARBLE FINISH
 COOLING JACKET WORKING PRESSURE - 1.8 bar

PUNCHDOWN BRACKET CLAMPING



DETAIL A
SCALE 1:6

CONNECTIONS		
ITEM	DESCRIPTION	CONNECTION SIZE
1	DRAIN CONNECTION	3" TC
2	LEVEL INDICATOR	DN20
3	RACKING CONNECTION	2" TC
4	ACCESS DOOR	
5	TEMPERATURE GAUGE	1/2" FNPT
6	SAMPLE VALVE	1/2" TC
7	THERMOWELL	1/2" FNPT
8A,8B	GLYCOL CONNECTION	3/4" FNPT



REV.	REVISION DESCRIPTION	DATE	DRAWN BY	DESIGNED BY	CHECKED BY	APPROVED BY	NO.	REF. DWG. NO.	REFERENCE DRAWINGS
-	-	-	-	-	-	-	6	-	-
-	-	-	-	-	-	-	5	-	-
-	-	-	-	-	-	-	4	-	-
-	-	-	-	-	-	-	3	-	-
-	-	-	-	-	-	-	2	-	-
-	-	-	-	-	-	-	1	-	-

cellar tek
 Cellar-Tek Supplies Ltd. www.cellartek.com
 1043 Richter St / Kelowna / BC / V1Y 2K4 / 1-877-460-9463
COPYRIGHT RESERVED. THIS PLAN AND DESIGN IS AND AT ALL TIMES REMAINS THE EXCLUSIVE PROPERTY OF CELLAR TEK SUPPLIES LTD. AND CANNOT BE USED IN WHOLE OR IN PART WITHOUT EXPRESS WRITTEN PERMISSION OF CELLAR TEK SUPPLIES LTD.

CALAIS WINERY
 8115 US-290
 HYE, TX
 PROJECT NO. _____
 DRAWING SIZE: 17 x 11
 SCALE: 1:30

55HL VC TANK
 DRAWING NO. CALAIS-55HL VC TANK
 REV. 0