

Belt press POWERPRESS 400/800/1200/1500/3000

Belt press POWERPRESS is designed for pressing juice out of fruit, berry and vegetable mash. The mash is placed onto the belt which presses it against cylinders. The obtained juice flows into integrated collection tank under the press. Then the pump transfers the juice from the press to a desired tank for further processing. The pressing process is continuous.

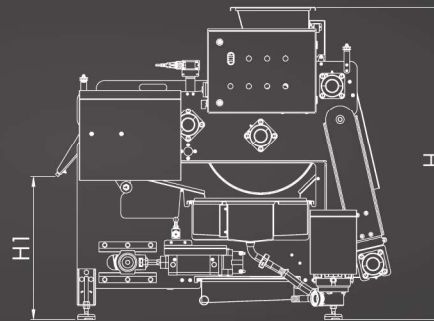
Available outputs: 400 kg/h, 800 kg/h, 1200 kg/h, 1500 kg/h, 3000 kg/h

- The most evolutionary feature of our POWERPRESS line is that Belt presses come with integrated pump and juice collection tank. These features save money as there is no need for additional juice collection tank and pump which otherwise would use much space and cause additional costs.
- The juice yield of apples using our machine is ~75 %.
- Juice collection tank also has an integrated filtration sieve. It filtrates the juice providing clearer and purer product.
- Machine works automatically: when the mash inlet tank is full, all preceding machines automatically deactivate. Similarly, when the juice tank reaches capacity, the pump seamlessly transfers the juice to storage tanks.
- Machine includes a high-pressure washer, which continuously washes the belt of the machine.
- Belt presses POWERPRESS 800/1200/1500/3000 have an openable pneumatic cover which makes the washing process easier.
- Belt tension is adjustable.
- The washing is simple and all the parts are easily removable.
- Machine is made entirely of stainless steel and has adjustable feet.

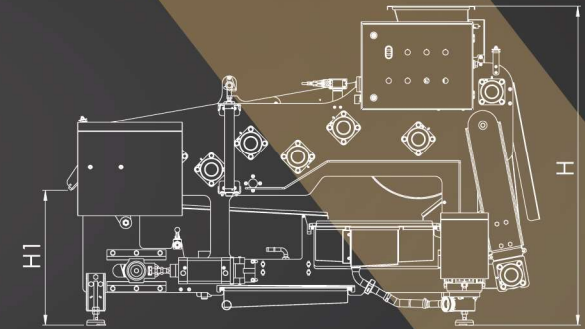
Belt press POWERPRESS 400



Belt press POWERPRESS 800



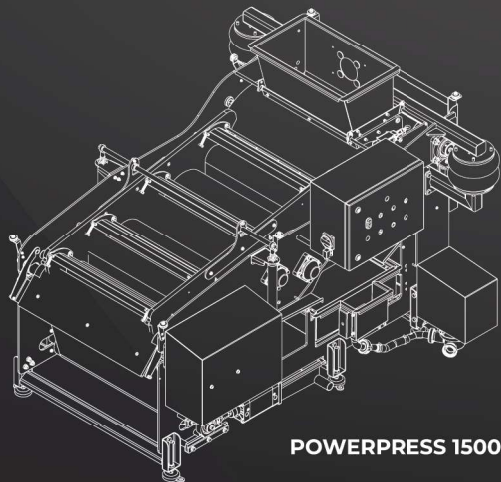
Output	kg/h	400
L	mm	1465
W	mm	1065
H	mm	1340
H1	mm	600
Belt width	mm	400
Weight	kg	480
Supply source	kW	1.1
Supply voltage	V	3/N/PE ~ 400 V 50Hz



Output	kg/h	800
L	mm	1995
W	mm	1225
H	mm	1350
H1	mm	570
Belt width	mm	500
Weight	kg	650
Supply source	kW	1.1
Supply voltage	V	3/N/PE ~ 400 V 50Hz

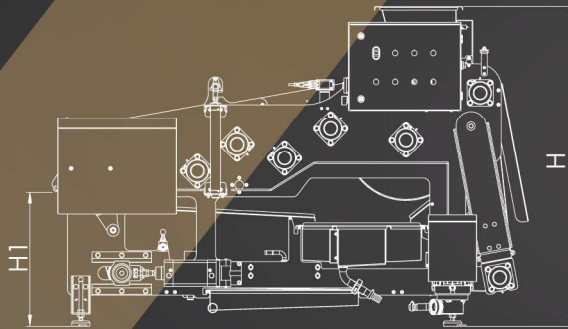
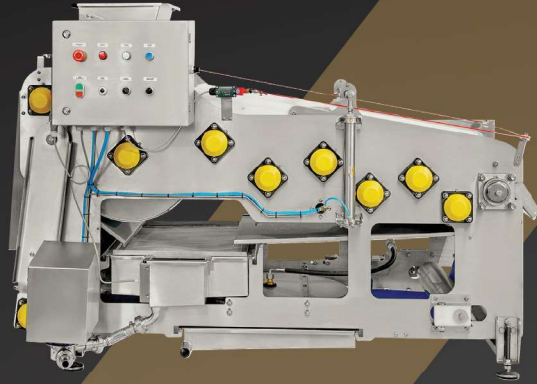


PROFRUIT
-MACHINERY-



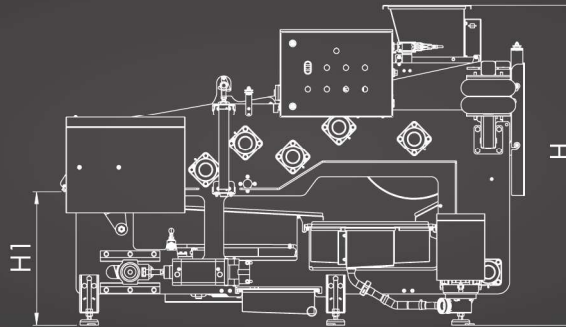
POWERPRESS 1500

Belt press POWERPRESS 1200



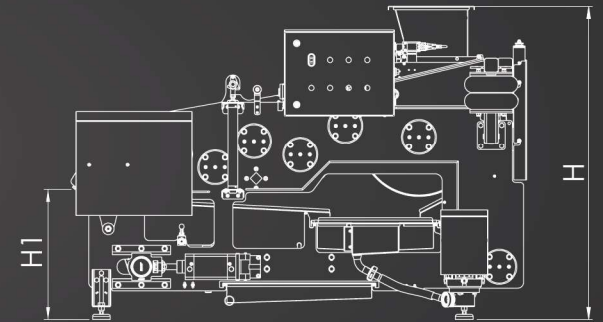
Output	kg/h	1200
L	mm	1995
W	mm	1325
H	mm	1350
H1	mm	570
Belt width	mm	600
Weight	kg	750
Supply source	kW	1.1
Supply voltage	V	3/N/PE ~ 400 V 50Hz

Belt press POWERPRESS 1500



Output	kg/h	1500
L	mm	1950
W	mm	1655
H	mm	1350
H1	mm	570
Belt width	mm	700
Weight	kg	850
Supply source	kW	1.5
Supply voltage	V	3/N/PE ~ 400 V 50Hz

Belt press POWERPRESS 3000



Output	kg/h	3000
L	mm	1953
W	mm	2112
H	mm	1350
H1	mm	557
Belt width	mm	1200
Weight	kg	1300
Supply source	kW	1.7
Supply voltage	V	3/N/PE ~ 400 V 50Hz