

## Destoning & pulping machine DESTONE 500/1000/2000

DESTONE is designed to separate fruit and berry pulp from stone, peel or seeds, and produce clean pulp & puree.

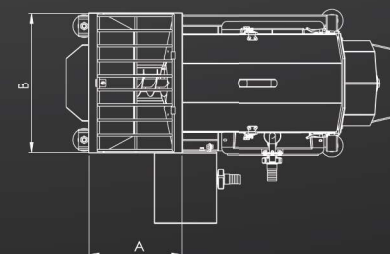
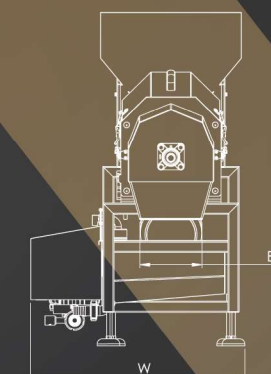
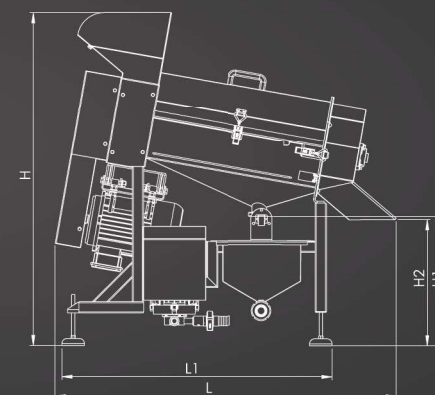
Machine consists of a screw, which is mounted in the middle, and sieve, which is attached to the sides of the machine. After fruits or berries are loaded into machine, the screw spins the products and presses them through the sieve, this way producing clear puree without any stones, seeds or peel.

### Available outputs: 500 kg/h, 1000 kg/h, 2000 kg/h

- With right modifications machine is suitable to process blueberries, blackcurrants, raspberries, strawberries, plums, apricots, peaches, mangoes, pomegranates, passion fruits, tomatoes, etc.
- For further processing and thinner puree, the pulping process can be repeated with another sieve. Alternatively, one-time destoned mash can also be further loaded into the belt press or rotational filter.
- Destoning pulping machine can be used separately or integrated into a fruit processing line.
- Machine comes with one integrated sieve. Client can order additional sieves according to his needs.
- Destoning & pulping machine functions automatically.
- Machine is easy to clean with no closed or inaccessible spaces, all parts are easy to assemble.
- Machine is entirely made of stainless steel.

### Available sieve options:

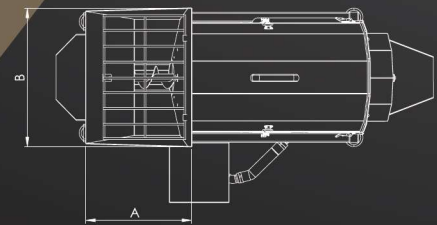
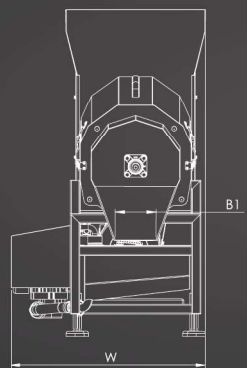
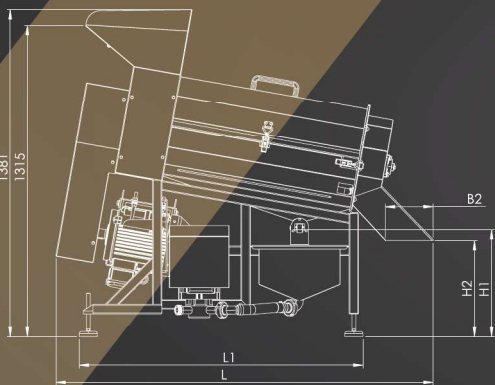
- With 0,6-2 mm holes – for pressing puree from berries with small seeds or for repetitive pulping process of already destoned pulp.
- With 3 mm holes – to get a puree from crushed pome fruits, such as apples, pears, guavas, etc.
- With 3 or 5 mm holes – for cherries and small plums.
- With 8 mm holes – for bigger plums, apricots, peaches.
- With 10 mm holes – for mangoes and similar fruits.



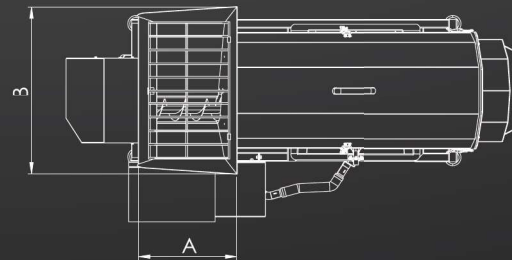
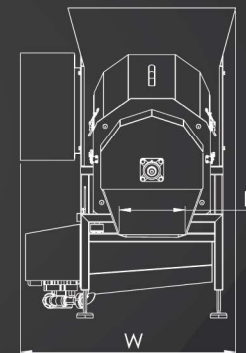
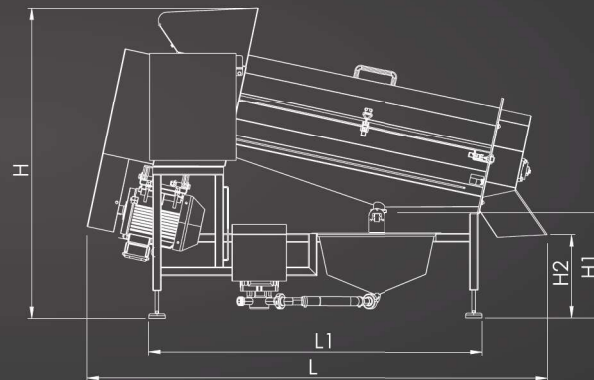
		DESTONE 500	DESTONE 1000	DESTONE 2000
Output	kg/h	500	1000	2000
L	mm	1216	1588	2132
L1	mm	964	1194	1546
W	mm	762	822	997
H	mm	1187	1381	1435
H1	mm	463	454	485
H2	mm	449	408	384
AxB	mm	330x498	445x585	554x710
B1	mm	223	174	304
Dry weight	kg	140	220	320
Supply source	kW	4.4	5.9	7.9
Supply voltage	V	3/N/PE ~ 400 V 50Hz	3/N/PE ~ 400 V 50Hz	3/N/PE ~ 400 V 50Hz



DESTONE 500



DESTONE 1000



DESTONE 2000

