

## Fully automatic Bag in Box filler MAXIFLOW

Automatic Bag in Box Filler MAXIFLOW fills liquids into webbed and separate Bag in Box bags fully automatically. Filler can also be used for filling Stand up Pouch packages.

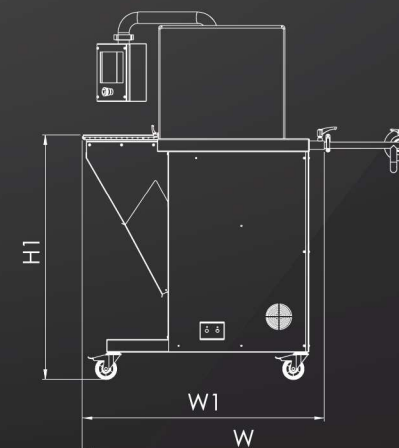
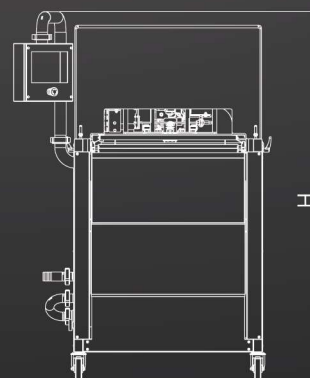
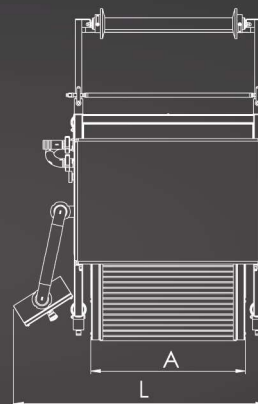
Machine fills webbed Bag in Box bags fully automatically. After inserting the first bag, machine removes the cap, fills the liquid and caps the bag. Then it releases the filled bag and takes another one for filling. This way the filling process is continuous and operator only needs to take the filled bag out of the machine.

To fill separate Bag in Box or Pouch bags, you only need to insert a package into the filler – machine automatically detects the bag and starts the filling process: removes the tap, vacuums the bag, fills it with liquid and closes the bag. Automatic laser detection comes with a safety mechanism which ensures limb safety and prevents accidents by making sure no other objects are in the way to successfully fill the bag.

### Output: ~2000 L/h

- Perfect for filling various liquids: from juice, wine, puree, milk to broth, oil, soap, etc.
- Easy-to-use mechanism does all the work automatically. Bags can be supplied to machine manually (separate bags or pouches) or automatically (bags in web).
- Suitable for both hot and cold filling.
- Machine fills Bag in Box bags in sizes 1–30 L, Stand up Pouch packages in sizes 0,75–5 L.
- Machine fills packages with tap closure. It is also possible to fill packages with different closures on request.
- Integrated laser detects when the bag is inserted into the filler and starts the filling process automatically.
- Laser safety mechanism protects limbs by automatically stopping & cancelling the filling process in case of any object being in the way.
- Integrated touch-screen control panel grants easier work.
- The error of repeatability of volumes is only  $\pm 0,3\%$ .
- Additional filling table is possible, which slides beneath the main table for filling bags of bigger volume (from 20 to 30 L).
- The filler is easy to clean after work with external and CIP cleaning.

Output	l/h	2000
L	mm	1181
W	mm	1562
W1	mm	1135
H	mm	1722
H1	mm	1150
A	mm	727
Dry weight	kg	220
Supply source	kW	1.5
Supply voltage	V	3/N/PE~400 V 50Hz



**PROFRUIT**  
-MACHINERY-